

CONGRATULATIONS!

And Welcome to our family! You now own a professional-grade product, used by renowned artists world-wide! Every COSTALAB product is hand-built in Italy with the finest components, for maximum performance and outstanding reliability. We check and test every single pedal before it reaches your home to be sure it works as it's designed for and that is free from defects of any kind.

WARRANTY

COSTALAB warrants the product to be free from defects in manufacturing for a period of two (2) years from the date of purchase.

The Warranty is only valid if the product is used as recommended and as it's intended. Proof of ownership may be required in the form of a purchase receipt.

EXCLUSIONS

The warranty does not cover damages caused by misuse, wrong power supply, abuse, unauthorized

modification, improper storage, lightning, or natural disasters.

The warranty does not cover knobs, rubber feet or any wearable component.

The warranty does not cover any shipping cost for repairing.

LIMIT OF LIABILITY

Costalab will not be held liable for any damage caused by the failure of this product. Damages excluded include, but are not limited to, the following: lost profits, damage to other equipment or inability to use this product.

By using the product, the user accepts all terms herein.

HOW TO OBTAIN SERVICE

contact COSTALAB through our website at www.costalab.com or contact any authorized dealer (full list on our website).


Costantino Arcuti
COSTALAB FOUNDER AND BUILDER

COSTALAB BUFFER

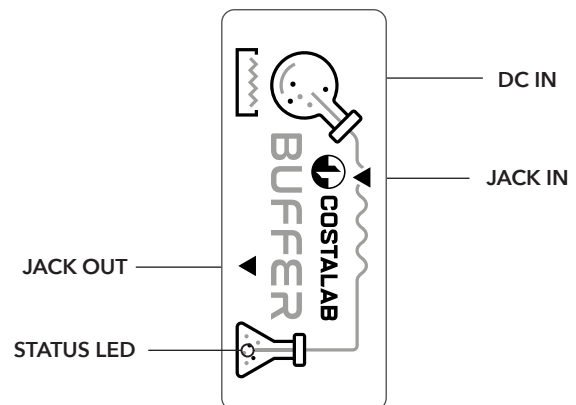
You won't believe how much tone can be produced by a pedal that makes no sound!

The Costalab Buffer is a Class A stomp-box that takes your signal by the hand through all the path, preserving your tone until it reaches your amp. What's the point in having a million-dollar pedalboard, if you lose tone stomp-box after stomp-box?

This buffer can be used in two ways: the usual one, at the beginning of your signal chain or at the end, as a line driver for your amp.

Thanks to his world-class high impedance input this pedal is the perfect pair even for acoustic instruments, with all the harmonic content back in place!

And you can ever run this buffer at 18v for maximum performance.



External power supply: it is possible to power the pedal with an external center-negative 9 volt DC power supply with standard 2.1mm DC connector. Current draw is less than 20 mA.

We suggest to use our filtered and stabilized **ENERGIA** or **POWER FACTORY** power supplies or an equivalent quality one. Using a different power supply may generate unwanted noise and may damage the product. When an external power supply is plugged, the battery is excluded.

Dimensions: 37x92x30mm excluding knobs and jacks.